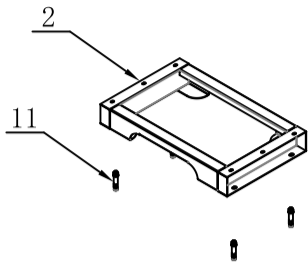


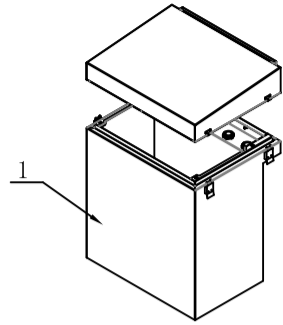
# V-BOX-NEMA3 Installation Instructions - Floor Mounting -

## Step 1



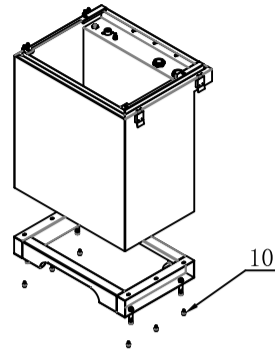
Fix the Floor Mounting Base with expansion screws

## Step 2



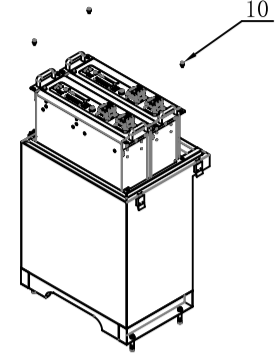
Untwist latches to remove the top cover of main cabinet

## Step 3



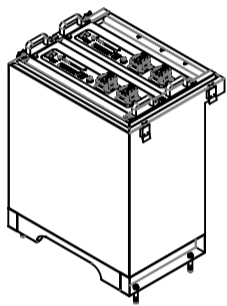
Fix the main cabinet to Floor Mounting Base with M6 screws.

## Step 4



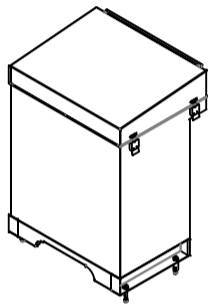
Place the batteries into cabinet as shown in picture and fix them to cabinet with M6 Screws.

## Step 5



Cabling.

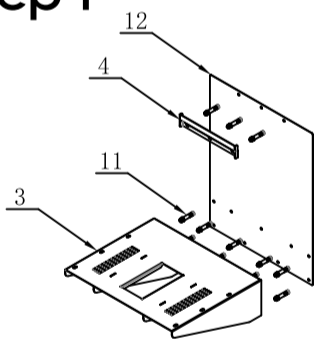
## Step 6



Place and lock the top cover to main cabinet by twisting the latches.

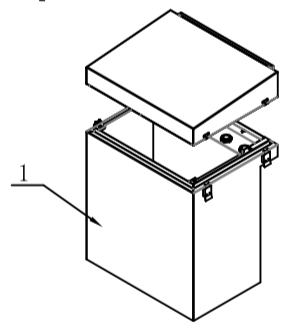
# V-BOX-NEMA3 Installation Instructions - Wall Mounting -

## Step 1



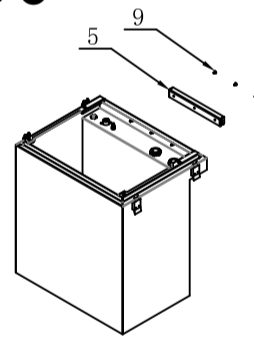
Fix the Wall Mounting Base and Wall Mounting Plate to wall with expansion screws by Positioning Board.

## Step 2



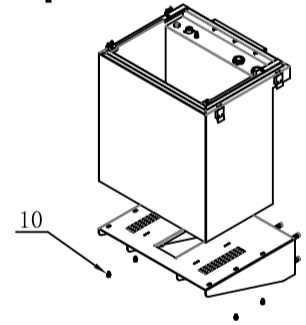
Untwist latches to remove the top cover of main cabinet.

## Step 3



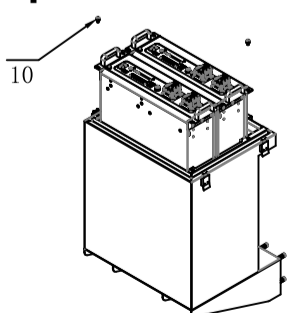
Fix the Wall Mounting Adapter to Cabinet with M4 Screws

## Step 4



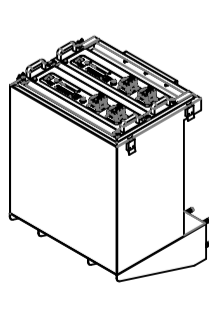
Install the main cabinet to wall by aligning Wall Mounting Adapter to Wall Mounting Plate. Then to fix the main cabinet to Wall Mounting Base with M6 Screws.

## Step 5



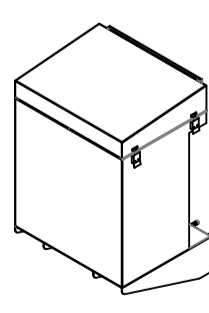
Place the batteries into cabinet as shown in picture and fix them to cabinet with M6 Screws.

## Step 6



Cabling.

## Step 7



Place and lock the top cover to main cabinet by twisting the latches.

# Packing List

| NO.              | Items                             | Quantit | Specifications   | Pictures  |
|------------------|-----------------------------------|---------|--|---|
| 1                | Main Cabinet                      | 1 pcs   | 20.5"x17.0"x25.5"<br>521.5x430.9x647.4mm                   |    |
| 2                | Floor Mounting Base               | 1 pcs   | 20.5"x12.8"x2.8"<br>521.5x326.2x70mm                       |    |
| 3                | Wall Mounting Base                | 1 pcs   | 20.5"x17.1"x5.9"<br>521.5x434x150mm                        |    |
| 4                | Wall Mounting Plate               | 1 pcs   | 10.6"x0.6"x2.1"<br>270x15x53mm                             |   |
| 5                | Wall Mounting Adapter             | 1 pcs   | 9.8"x0.8"x1.2"<br>250x20x30mm                              |  |
| 6                | Wifi Antenna Extension Cable      | 1 pcs   | 2LC00PM 901 -XH2.5 Connector<br>Male Terminal-38.4"(900mm) |  |
| 7                | Battery to Cabinet Earthing Cable | 1 pcs   | UL1015-10AWG-250mm<br>Yellow/Green-SC6-6+SC6-6             |  |
| 8                | Battery to Battery Earthing Cable | 1 pcs   | UL1015-10AWG-120mm<br>Yellow/Green-SC6-6+SC6-6             |  |
| 9                | M4 Screw                          | 3 pcs   | GB/T 70.3-2000<br>M4x0.3" (8mm)                            |  |
| 10               | M6 Screw                          | 10 pcs  | ISO 10644G-2014<br>M6x0.5"(12mm)                           |  |
| 11               | Expansion Screw                   | 12 pcs  | GB/T 22795(TCQ)-2008<br>M8x2.0"(50mm)                      |  |
| 12               | Positioning Board                 | 1 pcs   | 19.7"x25.2"x0.06"<br>500x640x1.5mm                         |  |
| 13               | Warning Label                     | 1 pcs   | 2.0"x3.9"<br>50mmx100mm                                    |  |
| Tools to Prepare |                                   |         |  |  |