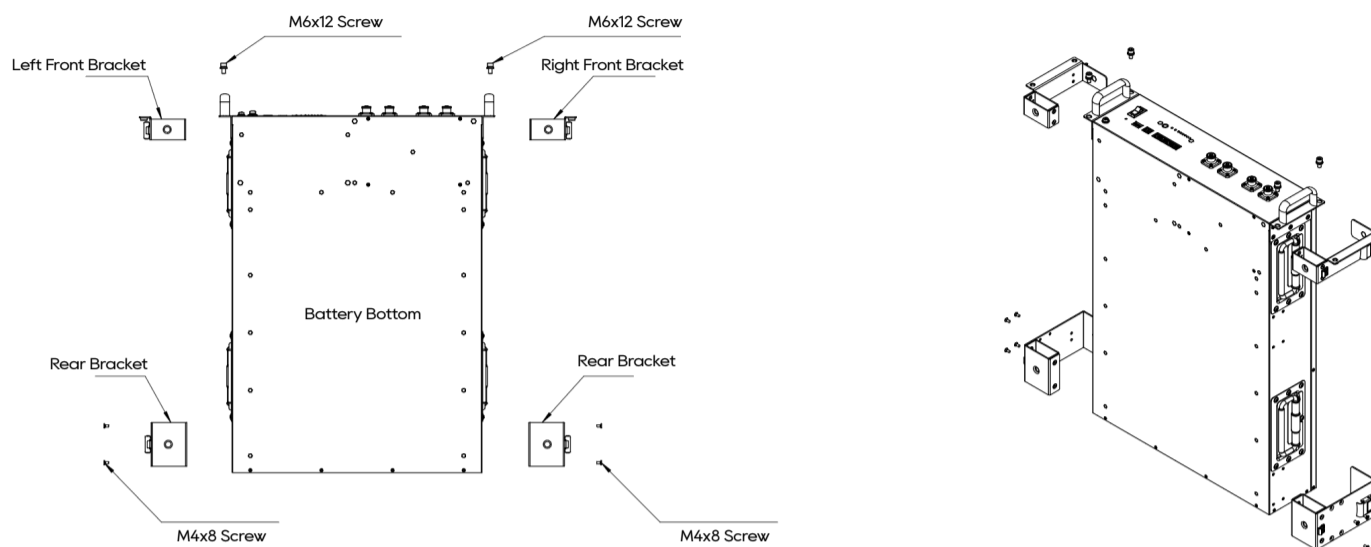
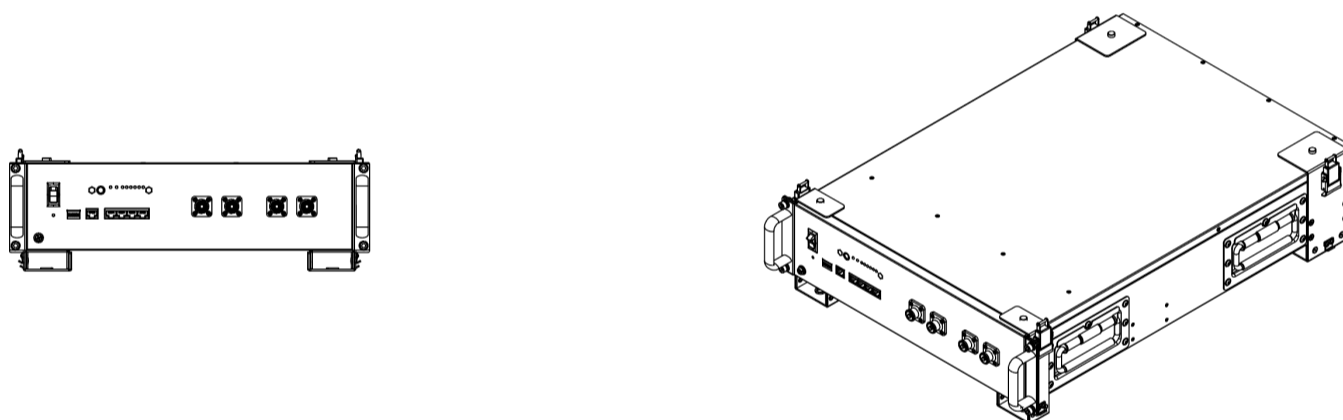


E BK1 Installation instructions

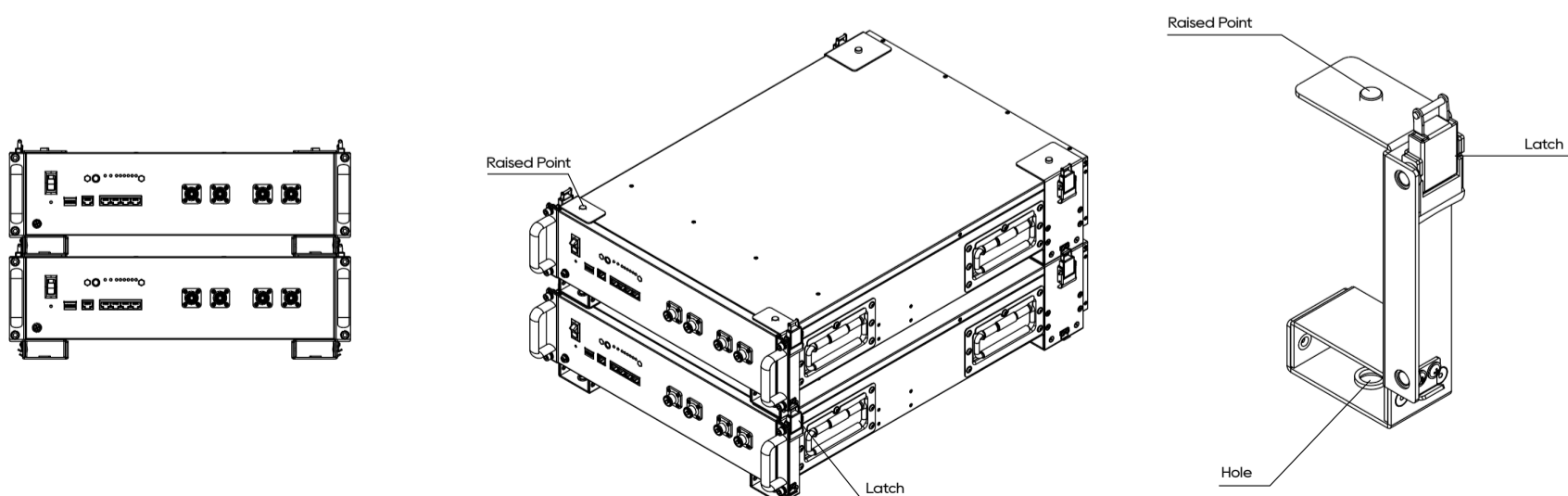
1. Refer to picture below to place battery upright.
2. Align the brackets to correct positions and use the screws to fix to battery.



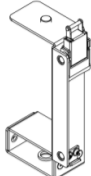
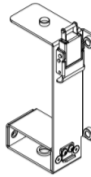
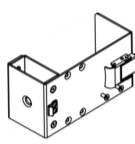


3. Lay the battery down and place it at the designated installation point.



4. Stack the other battery on top by aligning the raised points and holes on each bracket.
5. Lock the two batteries together by securing the 4 latches at bracket connection points.



Packing List

No.	Item	QTY	Specification	Picture
1	Upper Right Bracket	1	78.5x40x161.5mm 3.09x1.57x6.36inch	
2	Upper Left Bracket	1	78.5x40x161.5mm 3.09x1.57x6.36inch	
3	Rear Brackets	2	62.2x76x155mm 2.45x3x6.1inch	
4	M6x0.5"(12mm) Hexagonal cylindrical screw	4	ISO 10644G-2014	
5	M4x0.4"(8mm) External hexagonal cross screw	8	GB/T 70.3-2000	

Tools to Prepare

