

# Forest-RB



## Features



Safe & Reliable



Scalable for demand



Easy Installation



Modular & Elegant Design



Space Optimization



Indoor Installation

# Forest-RB Specs

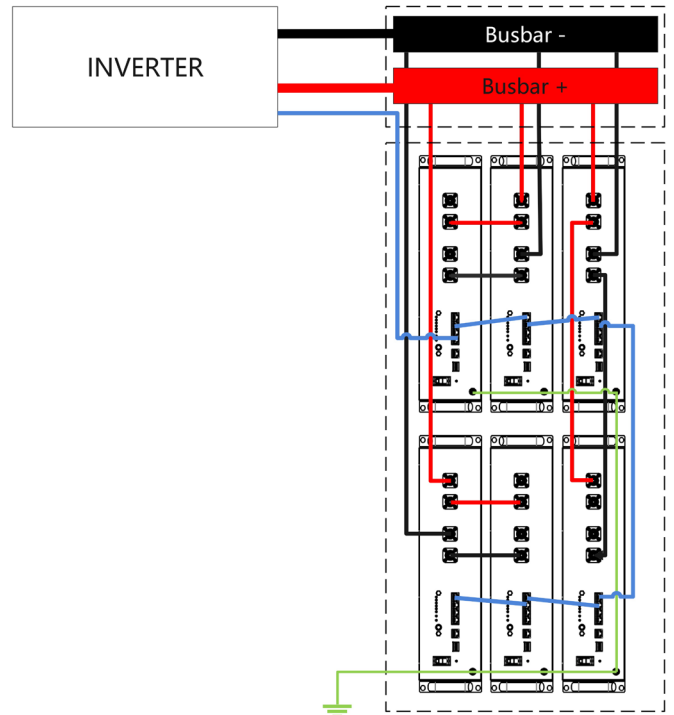
## Mechanical

Load capacity	6*E-Box 48100R
Structure	Busbar Integrated
Dimensions(L*W*H)	720*400*1150 mm / 28.3*15.7*45.3 inch
Weight	20kg / 44.1lbs
Mount	Floor mount
Enclosure rating	IP20
Enclosure material	SGCC(Galvanized steel)
Cooling	Natural convection

## 3D image

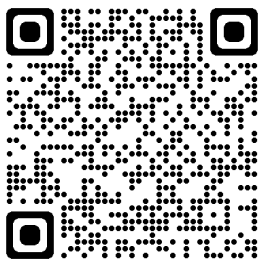


## Mechanical wiring



## Installation Guide

Scan Me



# Make the Installation Easier

**Pytes**

Shanghai PYTES Energy Co., Ltd.

Address:NO.3492, Jinqian Road, Fengxian District, Shanghai, China

Email: pytesess@pytesgroup.com

Site: www.pytesess.com